



65' Aerial Lifts

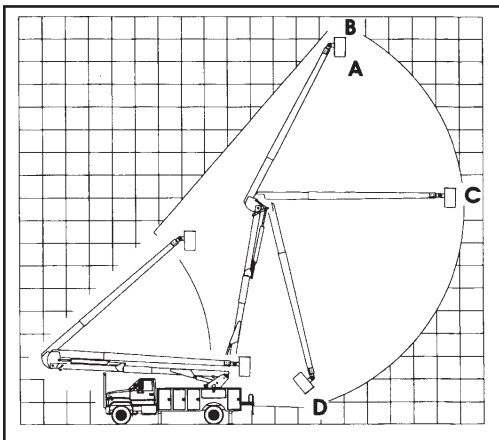
Chassis Features

- Heavy Duty Chassis
- Automatic Transmission
- Air Brakes
- All weather tires
- Diesel engine
- 50 gallon step tank
- Pintle Hook
- Cab Guards
- 4 x 4 Available

Equipment Features

- Terex-Telelect 6TC and 6H Series
- 65' ground to bottom of bucket
- Enclosed two-person fiberglass bucket with 700# capacity
- Fiberglass upper boom with lower boom insert
- Emergency lowering system
- Bucket rotators
- Hydraulic tool outlets
- Outrigger interlock system
- Outriggers
- Full Line Body or Flatbed wth Saddlepacks

Reach Diagram



CAPACITIES & DIMENSIONAL DATA

A-Bottom of Platform Height	65
B-Working Height	70
C-Side Reach	41.8